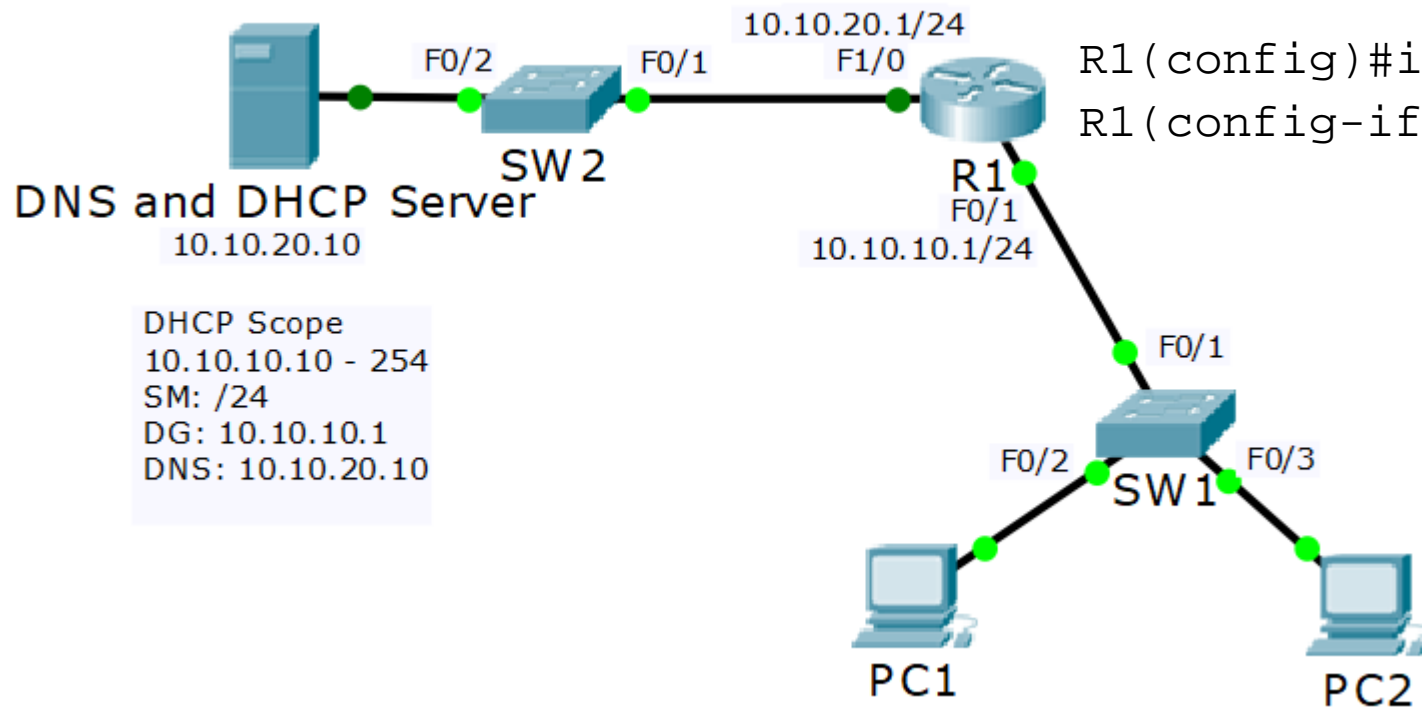


# Access Layer Switch Security Mechanisms

- DHCP Snooping
- DAI Dynamic ARP Inspection
- 802.1X Identity Based Networking
  
- Port Security

# External DHCP Server Configuration

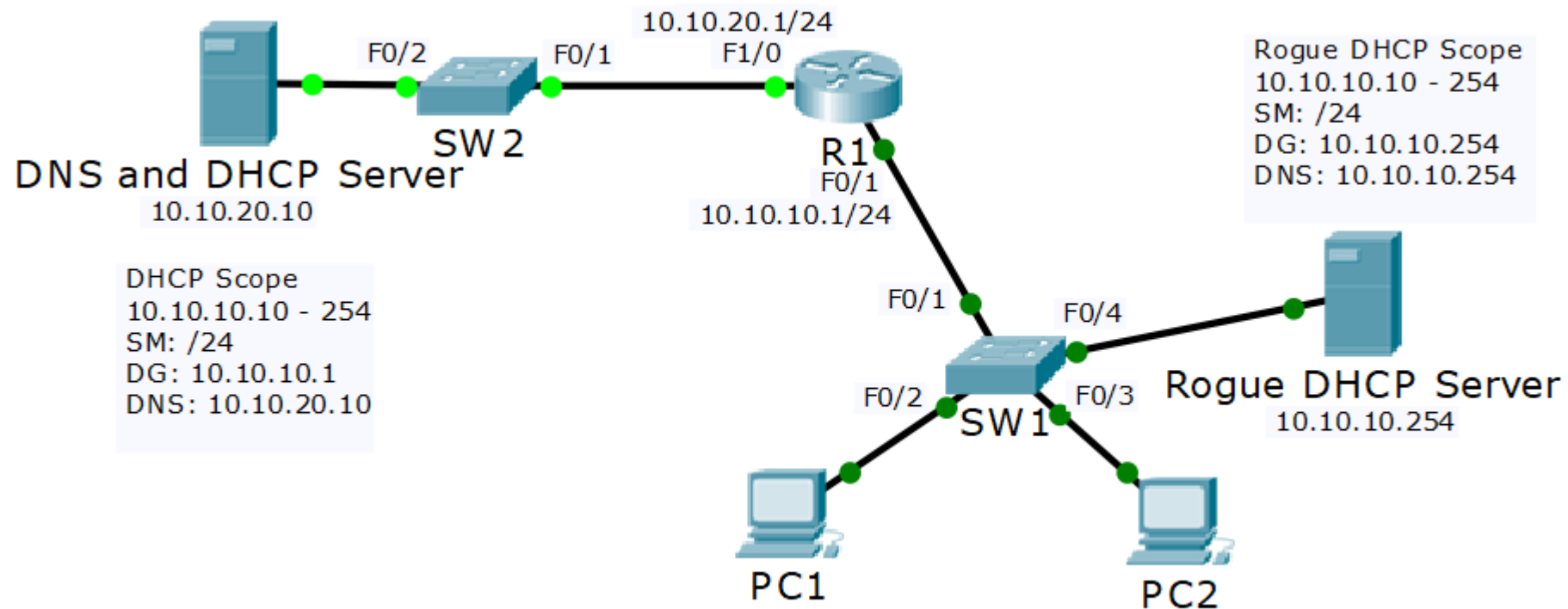


DNS and DHCP Server  
10.10.20.10

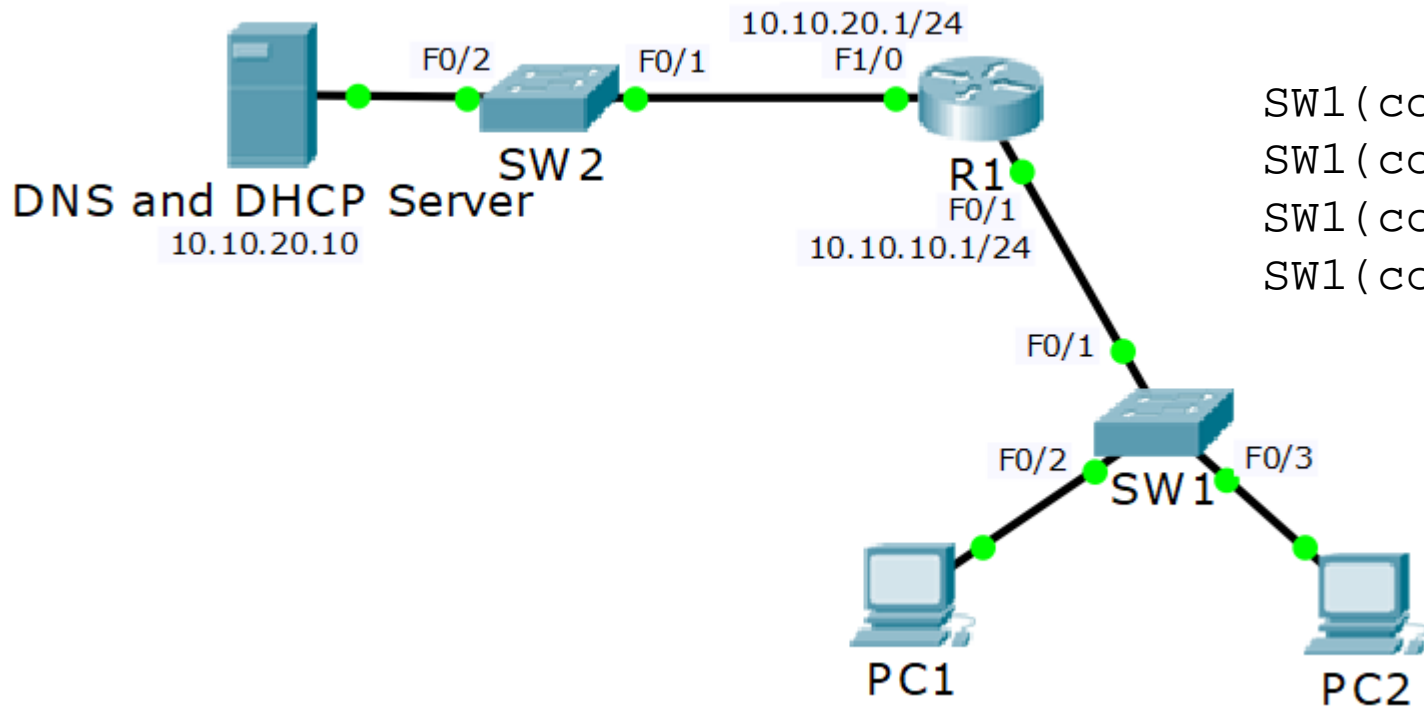
DHCP Scope  
10.10.10.10 - 254  
SM: /24  
DG: 10.10.10.1  
DNS: 10.10.20.10

```
R1(config)#interface f0/1  
R1(config-if)#ip helper-address 10.10.20.10
```

# Rogue DHCP Server



# DHCP Snooping



```
SW1(config)#ip dhcp snooping
SW1(config)#ip dhcp snooping vlan 10
SW1(config)#int f0/1
SW1(config-if)#ip dhcp snooping trust
```

When DHCP Snooping is enabled, DHCP Server responses are dropped if they don't arrive on a trusted port.