

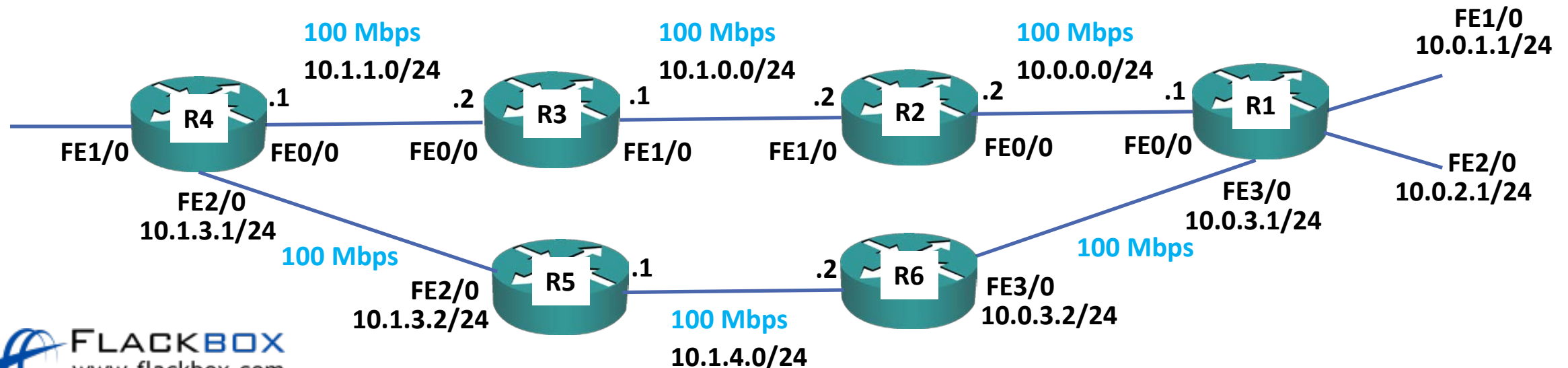
# Equal Cost Multi Path (ECMP)



- If multiple paths to a destination have an equal metric, the router will enter all of the paths into the routing table
- Equal Cost Multi Path will load balance the outbound traffic to the destination over the different paths
- All IGP routing protocols will perform ECMP by default
- EIGRP is the only routing protocol which is capable of Unequal Cost Multi Path. It must be manually configured to support this.

# Equal Cost Multi Path

- Both routes to 10.0.1.0/24 will be installed in Router 4's routing table
- Half the traffic will take path R4>3>2>1
- Half the traffic will take path R4>5>6>1

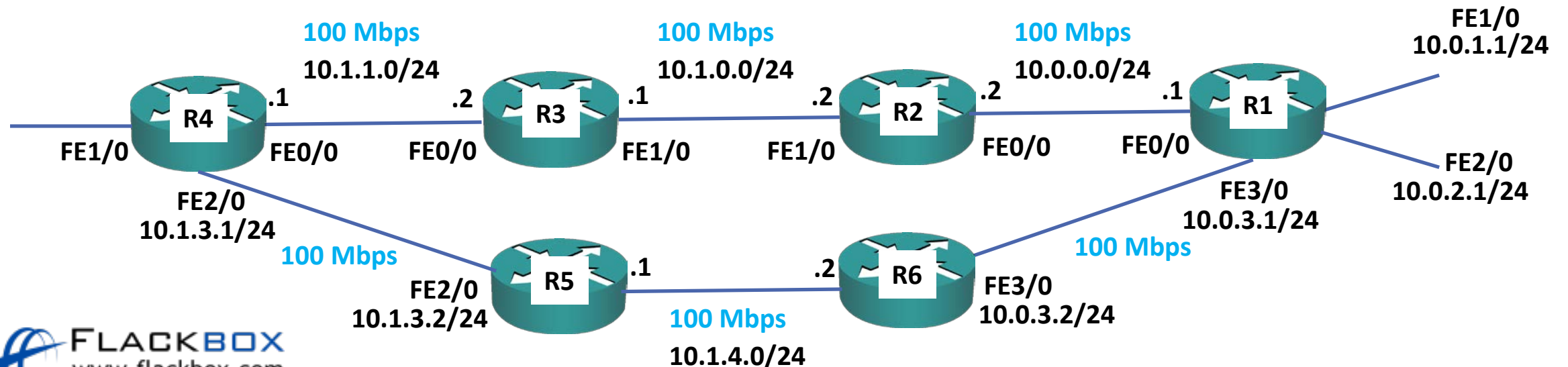


# Equal Cost Multi Path

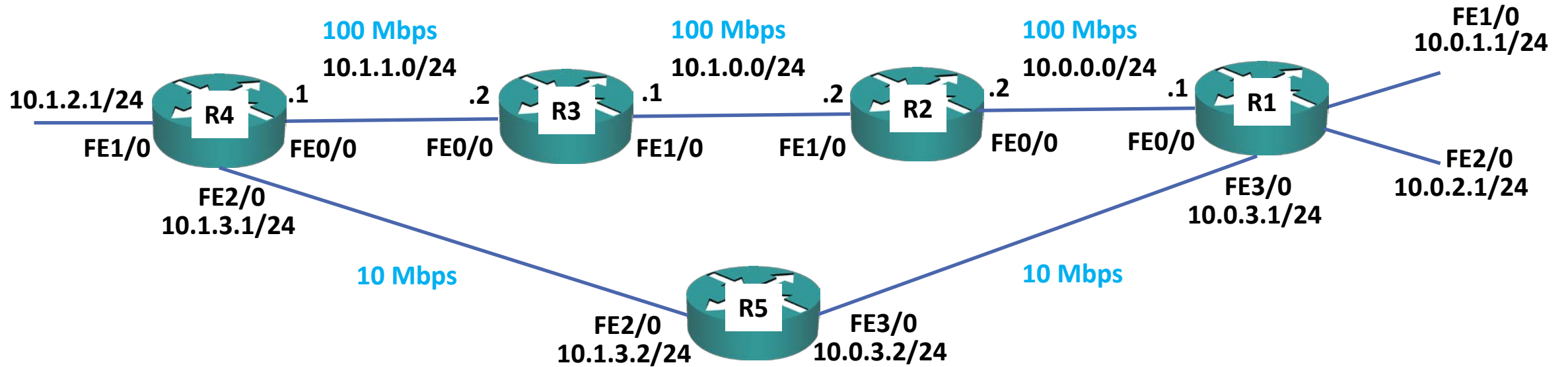
- You can also achieve load balancing with static routes

```
R4(config)# ip route 10.0.1.0 255.255.255.0 10.1.1.2
```

```
R4(config)# ip route 10.0.1.0 255.255.255.0 10.1.3.2
```



# Lab



# Lab

