

- **Vendor: Cisco**
- **Exam Code: 200-301**
- **Exam Name: Cisco Certified Network Associate**
- **Part of New Questions from [PassLeader](#) (Updated in [Mar/2020](#))**

[Visit PassLeader and Download Full Version 200-301 Exam Dumps](#)

**Refer to the Exhibit - 1**

Refer to the exhibit. Based on the LACP neighbor status, in which mode is the SW1 port channel configured?

```
SW1#sh lacp neighbor
Flags: S - Device is requesting Slow LACPDUs
      F - Device is requesting Fast LACPDUs
      A - Device is in Active mode      P - Device is in Passive mode

Channel group 35 neighbors

Partner's information:

Port      LACP port      Admin Oper  Port  Port
Port      Flags  Priority Dev ID      Age  key  Key  Number  State
Et1/0     SP     32768  aabb.cc80.7000  8s  0x0  0x23  0x101  0x3C
Et1/1     SP     32768  aabb.cc80.7000  8s  0x0  0x23  0x102  0x3C
```

- A. passive
- B. mode on
- C. auto
- D. active

Answer: A

**Refer to the Exhibit - 2**

Refer to the exhibit. The show ip ospf interface command has been executed on R1 How is OSPF configured?

```

Designated Router (ID) 10.11.11.11, Interface address 10.10.10.1
Backup Designated router (ID) 10.3.3.3, Interface address 10.10.10.3
Timer intervals configured, Hello 10, Dead 40, Wait 40, Retransmit 5
oob-resync timeout 40
Hello due in 00:00:08
Supports Link-local Signaling (LLS)
Cisco NSF helper support enabled
IETF NSF helper support enabled
Index 1/1/1, flood queue length 0
Next 0x0(0)/0x0(0)/0x0(0)
Last flood scan length is 1, maximum is 6
Last flood scan time is 0 msec, maximum is 1 msec
Neighbor Count is 3, Adjacent neighbor count is 3
Adjacent with neighbor 10.1.1.4
Adjacent with neighbor 10.2.2.2
Adjacent with neighbor 10.3.3.3 (Backup Designated Router)
Suppress hello for 0 neighbor(s)
    
```

- A. The interface is not participating in OSPF.
- B. A point-to-point network type is configured.
- C. The default Hello and Dead timers are in use.
- D. There are six OSPF neighbors on this interface.

Answer: A

**Refer to the Exhibit - 3**

Refer to the exhibit. What does router R1 use as its OSPF router-ID?

```

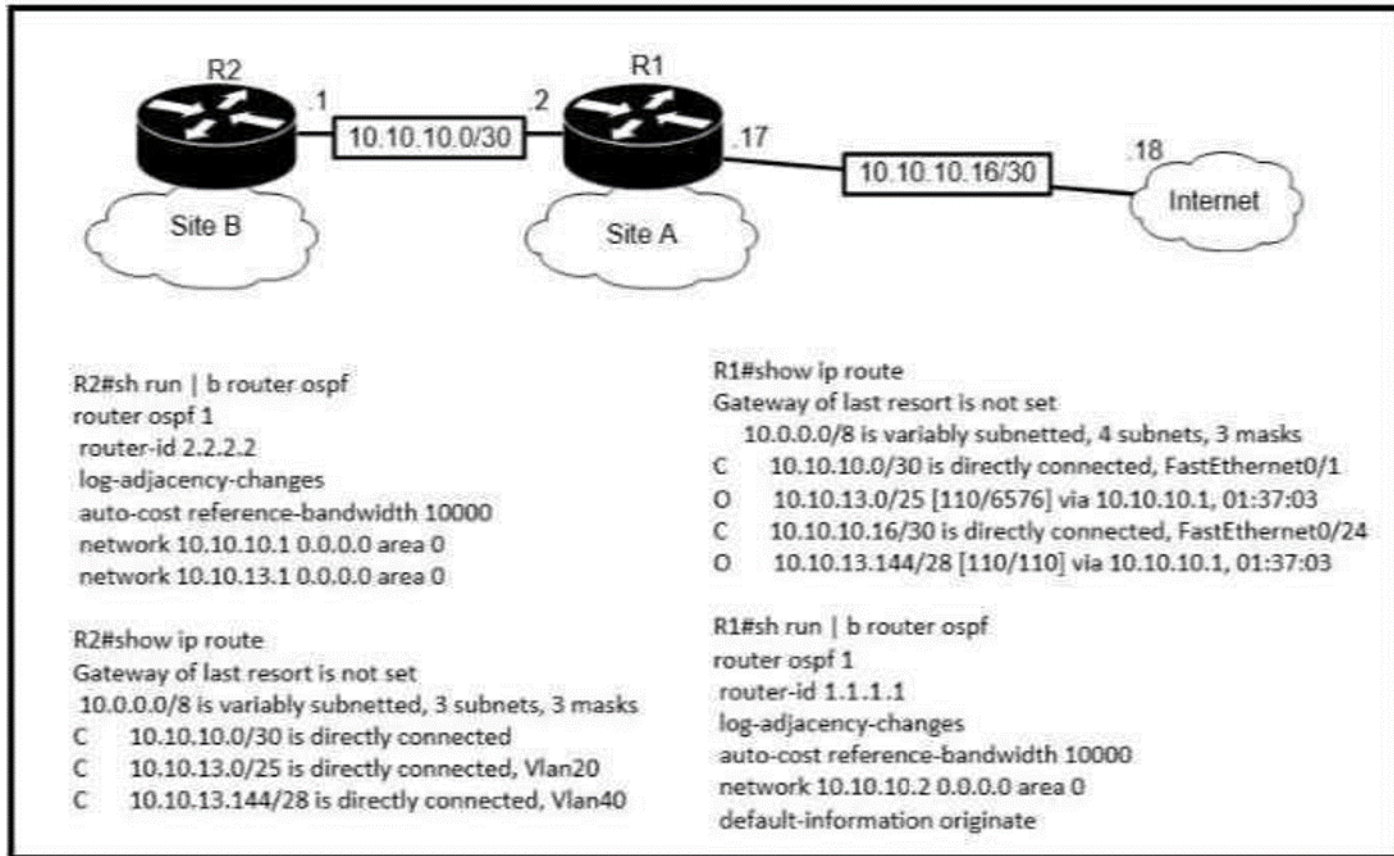
R1#show ip interface brief
Interface          IP-Address      OK? Method Status      Protocol
FastEthernet0/0    unassigned      YES NVRAM    administratively down  down
GigabitEthernet1/0 192.168.0.1     YES NVRAM    up          up
GigabitEthernet2/0 10.10.1.10      YES manual    up          up
GigabitEthernet3/0 10.10.10.20     YES manual    up          up
GigabitEthernet4/0 unassigned      YES NVRAM    administratively down  down
Loopback0          172.16.15.10    YES manual
    
```

- A. 10.10.1.10
- B. 10.10.10.20
- C. 172.16.15.10
- D. 192.168.0.1

Answer: B

**Refer to the Exhibit - 4**

Refer to the exhibit. An engineer is bringing up a new circuit to the MPLS provider on the Gi0/1 interface of Router1. The new circuit uses eBGP and teams the route to VLAN25 from the BGP path. What is the expected behavior for the traffic flow for route 10.10.13.0/25?

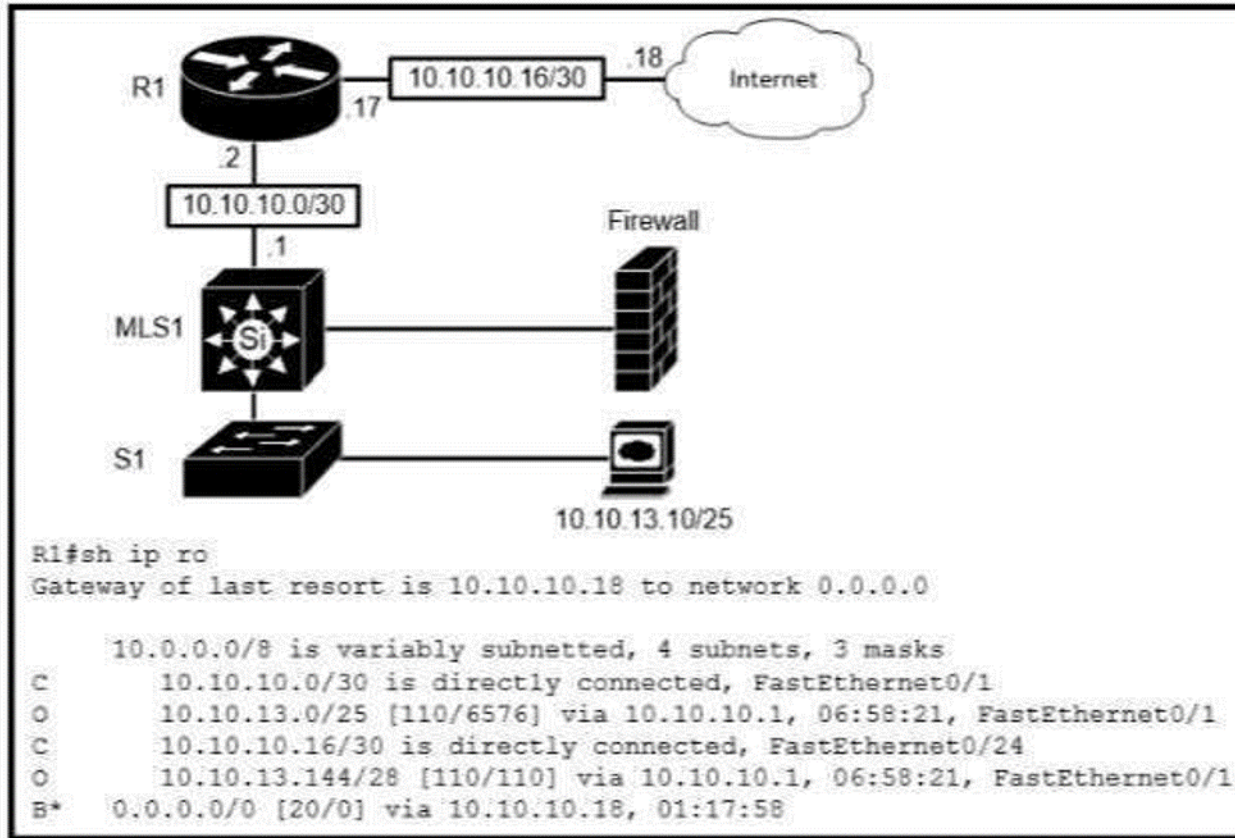


- A. Traffic to 10.10.13.0.25 is load balanced out of multiple interfaces.
- B. Route 10.10.13.0/25 is updated in the routing table as being learned from interface Gi0/1.
- C. Traffic to 10.10.13.0/25 is a symmetrical.
- D. Route 10.10.13.0/25 learned via the Gi0/0 interface remains in the routing table.

Answer: D

**Refer to the Exhibit - 5**

Refer to the exhibit. Which type of route does R1 use to reach host 10.10.13.10/32?



- A. floating static route
- B. host route
- C. default route
- D. network route

Answer: D

**Refer to the Exhibit - 6**

Refer to the exhibit. An engineer configured NAT translations and has verified that the configuration is correct. Which IP address is the source IP?

```

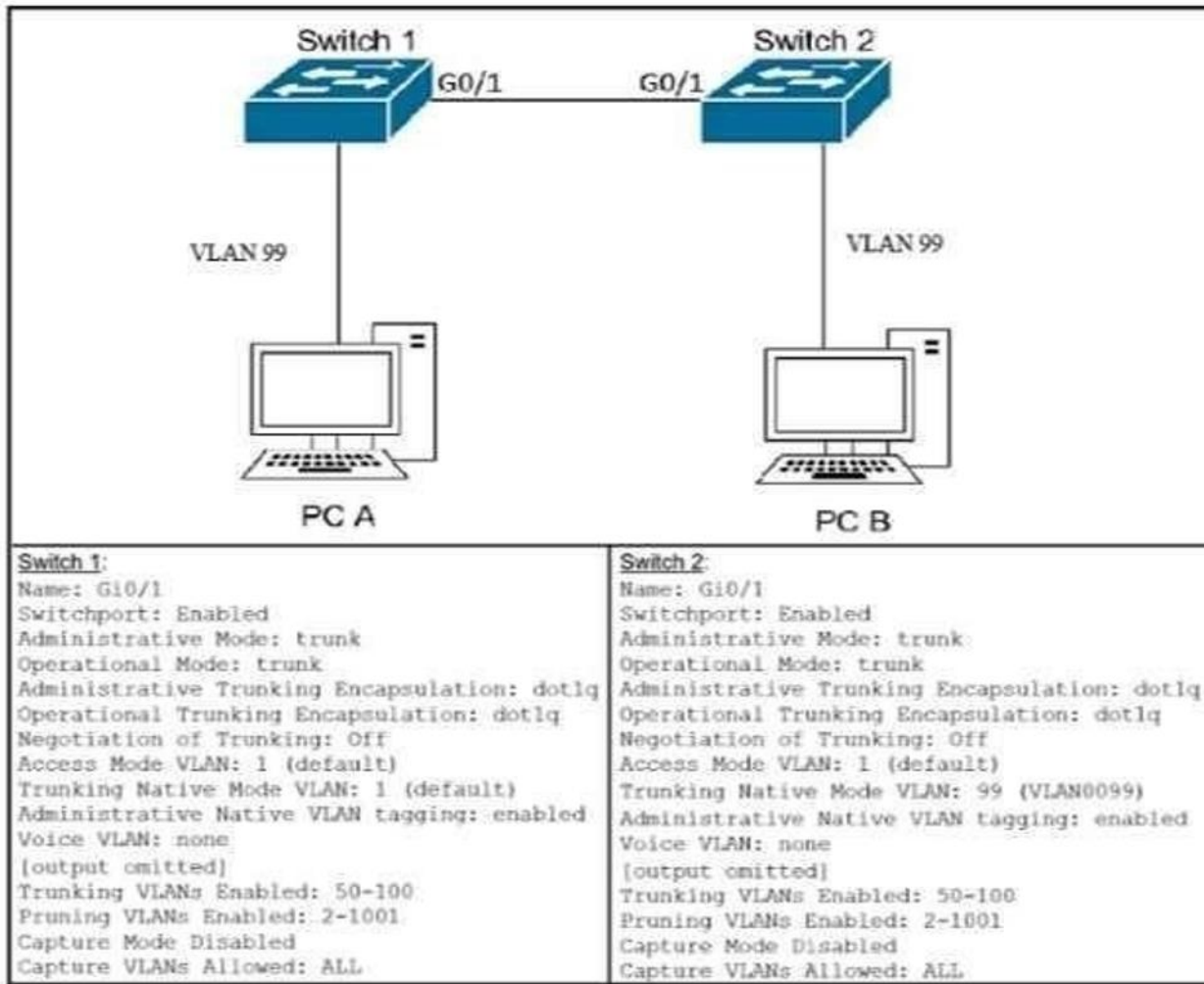
R2#show ip nat translations
Pro Inside global      Inside local  Outside local  Outside global
tcp 172.23.104.3:43268 10.4.4.4:43268 172.23.103.10:23 172.23.103.10:23
tcp 172.23.104.4:45507 10.4.4.5:45507 172.23.103.10:80 172.23.103.10:80
  
```

- A. 10.4.4.4
- B. 10.4.4.5
- C. 172.23.103.10
- D. 172.23.104.4

Answer: C

**Refer to the Exhibit - 7**

Refer to the Exhibit. After the switch configuration the ping test fails between PC A and PC B Based on the output for switch 1. Which error must be corrected?

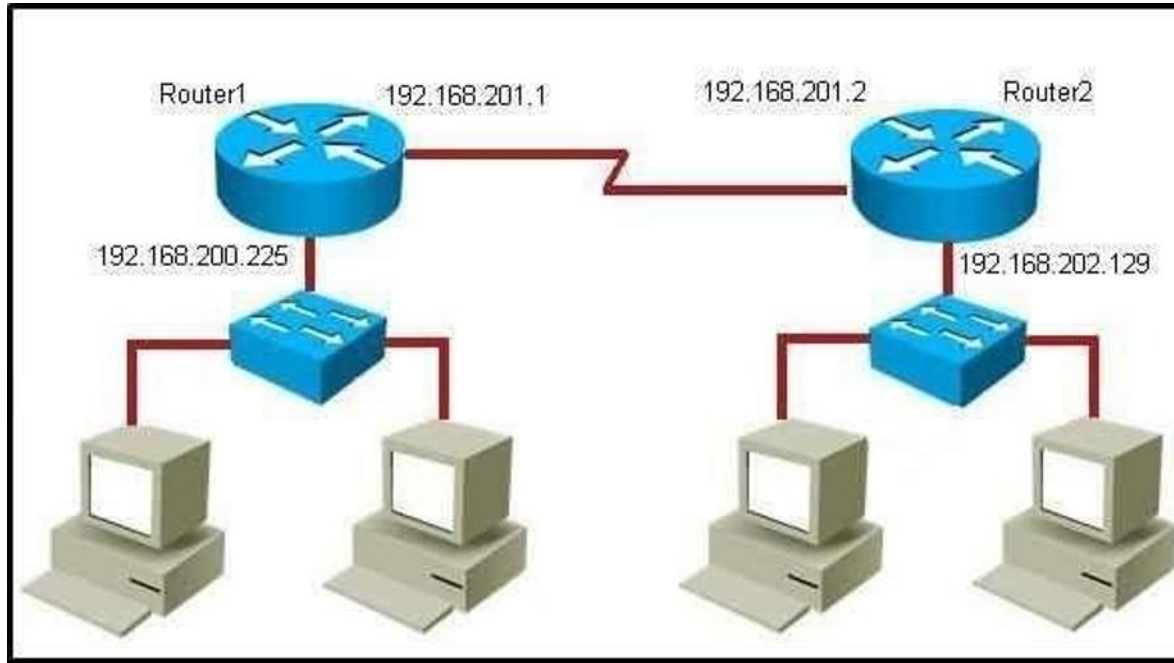


- A. There is a native VLAN mismatch.
- B. Access mode is configured on the switch ports.
- C. The PCs are in the incorrect VLAN.
- D. All VLANs are not enabled on the trunk.

Answer: A

**Refer to the Exhibit - 8**

Refer to the exhibit. Which command would you use to configure a static route on Router1 to network 192.168.202.0/24 with a nondefault administrative distance?



- A. router1(config)#ip route 192.168.202.0 255.255.255.0 192.168.201.2 1
- B. router1(config)#ip route 192.168.202.0 255.255.255.0 192.168.201.2 5
- C. router1(config)#ip route 1 192.168.201.1 255.255.255.0 192.168.201.2
- D. router1(config)#ip route 5 192.168.202.0 255.255.255.0 192.168.201.2

Answer: B

**Refer to the Exhibit - 9**

Refer to exhibit. Which statement explains the configuration error message that is received?

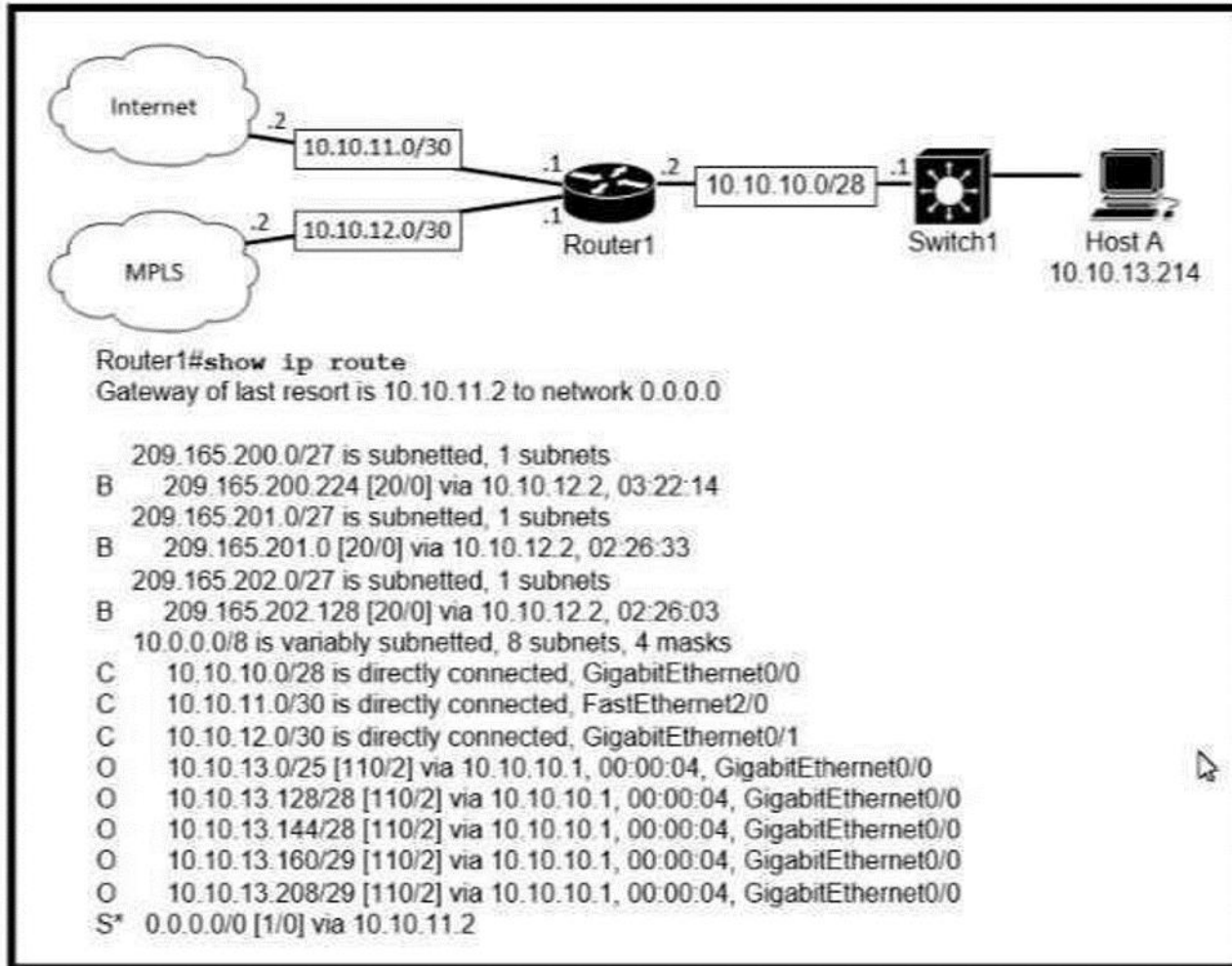
```
Router(config)#interface GigabitEthernet 1/0/1
Router(config-if)#ip address 192.168.16.143 255.255.255.240
Bad mask /28 for address 192.168.16.143
```

- A. It is a broadcast IP address.
- B. The router does not support /28 mask.
- C. It belongs to a private IP address range.
- D. IT is a network IP address.

Answer: A

**Refer to the Exhibit - 10**

Refer to the exhibit. Which prefix does Router 1 use for traffic to Host A?



- A. 10.10.10.0/28
- B. 10.10.13.0/25
- C. 10.10.13.144/28
- D. 10.10.13.208/29

Answer: C

**More Refer to the Exhibit Questions**

[Visit PassLeader and Download Full Version 200-301 Exam Dumps](#)